

Software Upgrading Manual for Power Lite

1. Tools for software upgrading

- 1.1. A laptop or desktop computer installing a RS485 to USB driver, BootLoader and UIWare.
- 1.2. A RS485USB converter with relative cables which have been modified according to the interface definition of Power Lite.

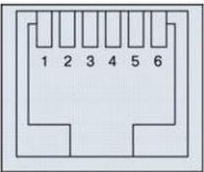
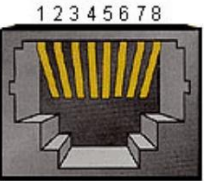

Interface	Pin Definiton	Pic.
RS232	Pin 3: BMS transmit; Computer receiver Pin 4: BMS receiver; Computer transmit Pin 5: GND Pin 1、2 6: NC	
RS485	Pin 4: NC Pin 2、7: RS485-A Pin 3、6: RS485-B Pin 8: GND	

Figure 1.1 Interface definition of Power Lite

接口	说明	备注
CAN	Pin 1: CAN-H Pin 5: CAN-L Pin 2、3、4、6、7: NC Pin 8: GND	RS485A: Orange+White brown RS485B: Green+White green
RS485	Pin 1、4、5: NC Pin 2、7: RS485-A Pin 3、6: RS485-B Pin 8: GND	TR+/RS485A TR-/RS485B
RS232	引脚 1、2、6: NC 引脚 3: BMS transmit; Computer	



RJ45 wires color:

1. Orange white
2. Orange
3. Green white
4. Blue
5. Blue white
6. Green
7. Brown white
8. Brown

Figure 1.2 RS485/USB converter for software upgrading

2. Software upgrading procedure

2.1. Connect the computer and Power Lite via RS485/USB converter. **Set the external dial-up address of battery to 100000**, as shown in figure 2.2.

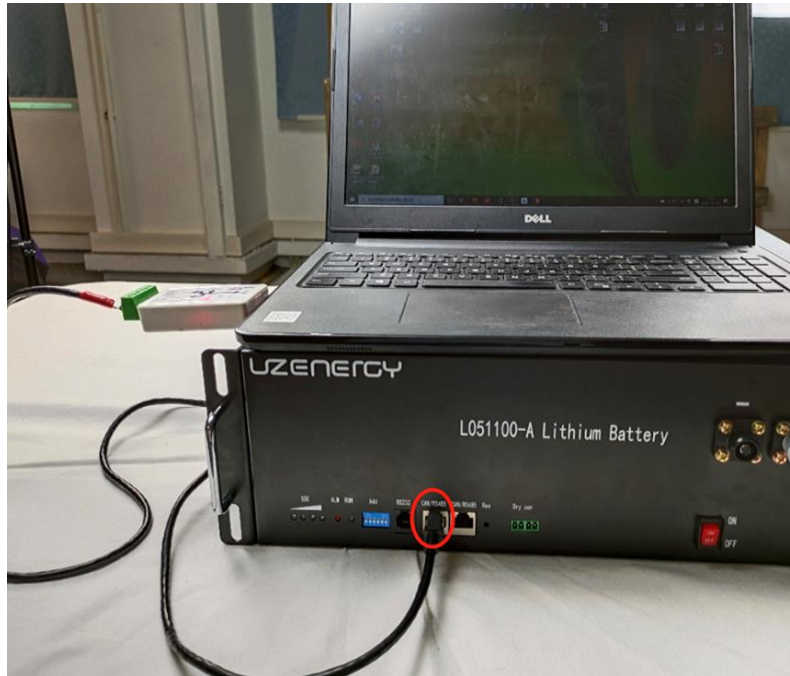


Figure 2.1 Connect laptop and Power Lite via RS485-USB converter



Figure 2.2 Dial-up address is 100000

2.2. Open “BootLoader” software and turn on the power switch of Power Lite.

名称	修改日期	类型	大小
Bootloader	2019-06-26 14:13	应用程序	72 KB
Bootloader.pdb	2019-06-26 14:13	PDB 文件	62 KB
Bootloader.vshost	2019-06-26 13:53	应用程序	21 KB
Bootloader.vshost.exe.manifest	2013-03-18 17:00	MANIFEST 文件	1 KB
customer.cfg	2020-06-02 9:09	CFG 文件	1 KB
system.cfg	2017-04-24 8:39	CFG 文件	1 KB

Figure 2.3 Open “Bootloader” software



Figure 2.4 Turn on Power Lite

2.3. Click on the “Browse” button and select the target BMS firmware for upgrading. [The target firmware is LM-M01A-YZ107-21.Q2.14-210109]

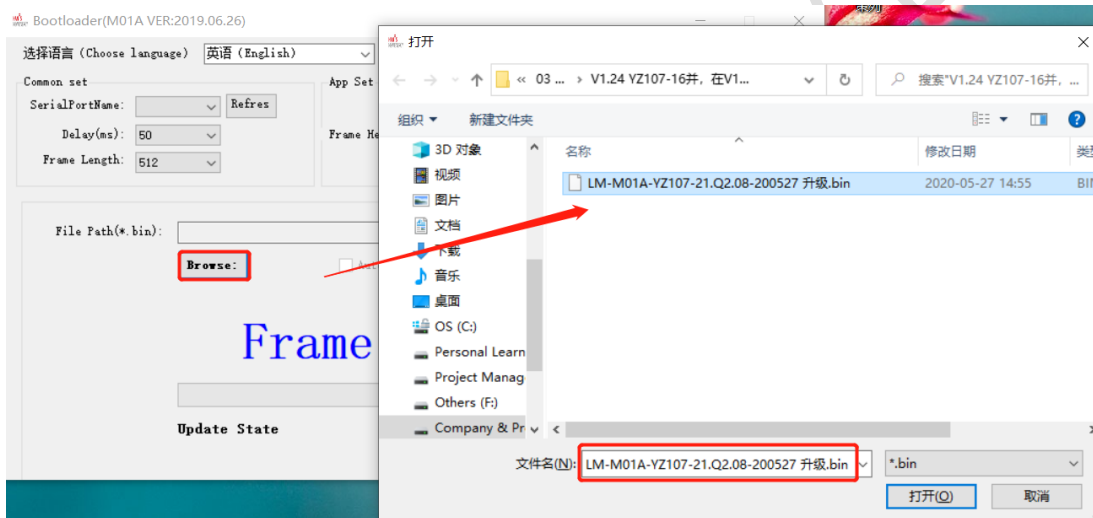


Figure 2.5 Select the target BMS program

2.4. Set the baudrate to “115200” as shown in figure 2.6.

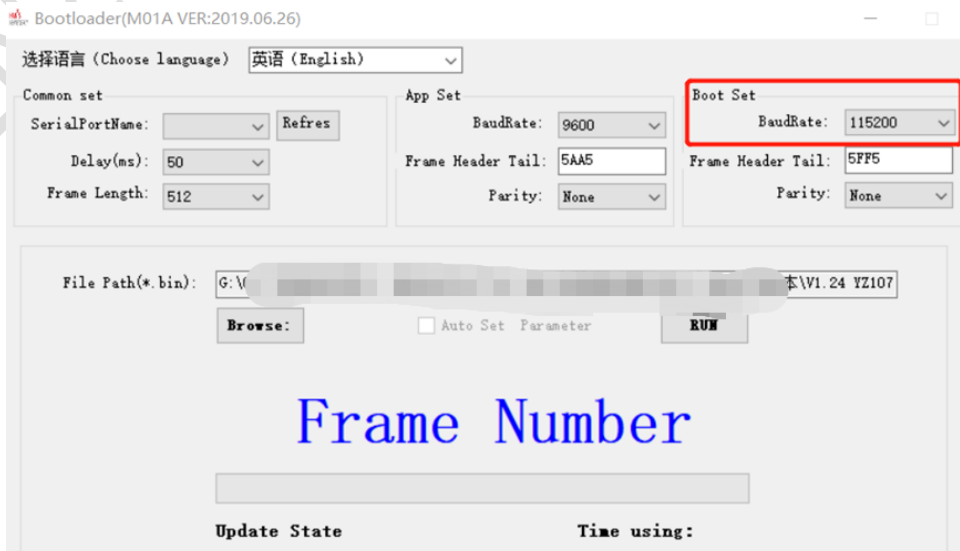


Figure 2.6 Baudrate setup

2.5. Click on the “RUN” button and start to upgrade BMS software. If failed, press the reset swith with a small screwdriver. Position of the swith is shown as below.



Figure 2.7 Position of resset button

2.6. When upgrading done, it will show “Upgrade OK” and then close Bootloader software maunally.

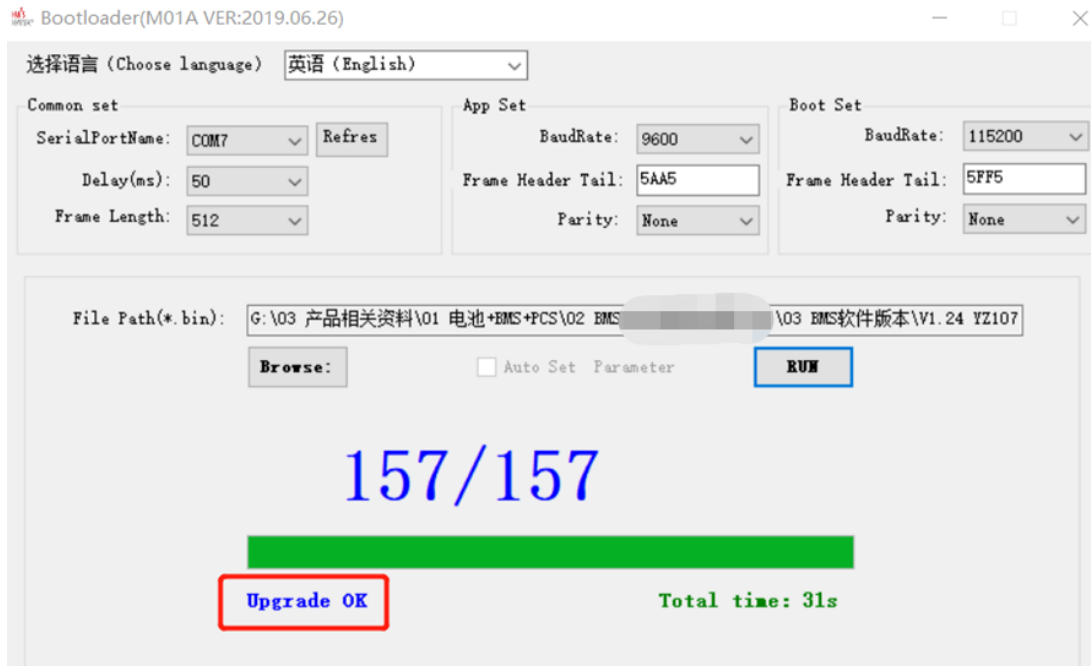


Figure 2.8 Upgrading finised

3. Check the version of BMS program

3.1. Open upper computer software “UIWare” . And please confirm that software Bootloader is closed.

名称	修改日期	类型	大小
config	2020-05-28 17:30	文件夹	
DataBase	2020-05-28 17:30	文件夹	
file_analysistpath	2020-03-12 12:01	Microsoft Word ...	3 KB
Microsoft.Office.Interop.Excel.dll	2011-12-12 6:54	应用程序扩展	1,514 KB
UIWare	2020-05-28 14:11	应用程序	379 KB
UIWare.pdb	2020-05-28 14:11	PDB 文件	430 KB
UIWare	2020-05-28 14:11	XML 文档	16 KB

Figure 3.1 Open software “UIWare”

3.2. Select “INFO” button, and set the number of “DipAddr” to “0” as below.

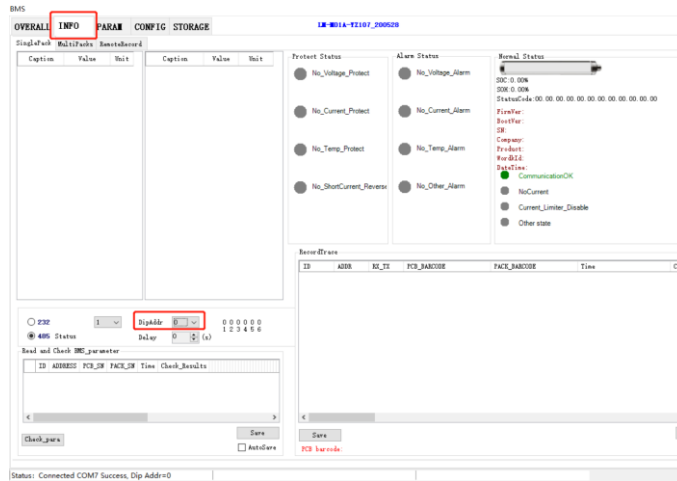


Figure 3.2 Set dial-up address

3.3. When communication is OK, version of the current BMS program which should be consistent with the target one for upgrading can be read at the bottom of the software interface as shown in Figure 3.3. If the version of the program is not right, please upgrade it as software upgrading procedure. [The target firmware is LM-M01A-YZ107-21.Q2.14-210109]

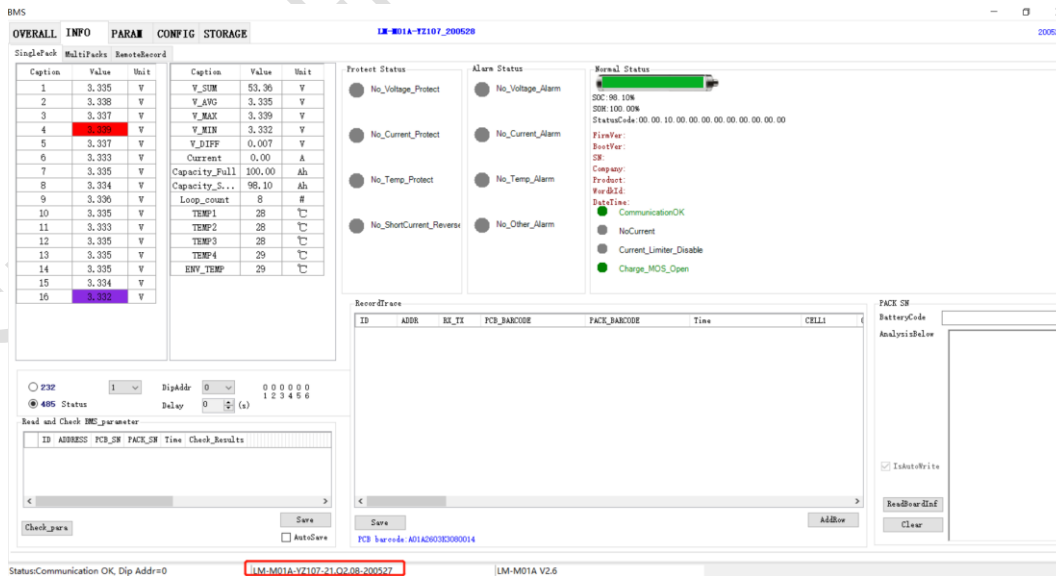


Figure 3.3 Check the version of BMS program

—END